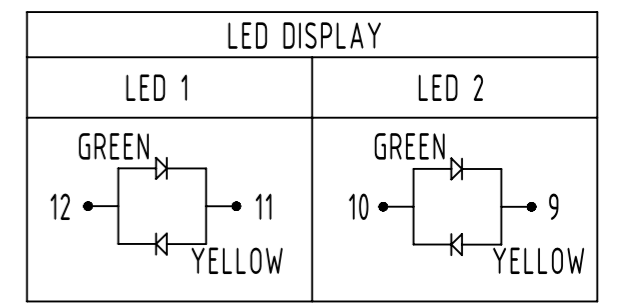
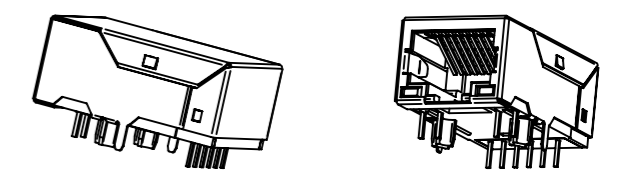


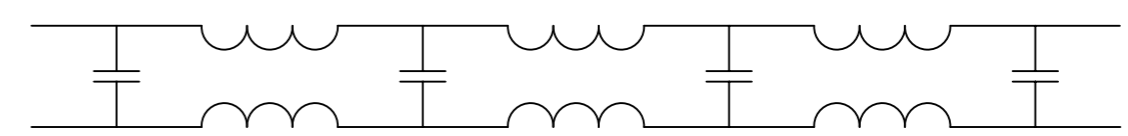
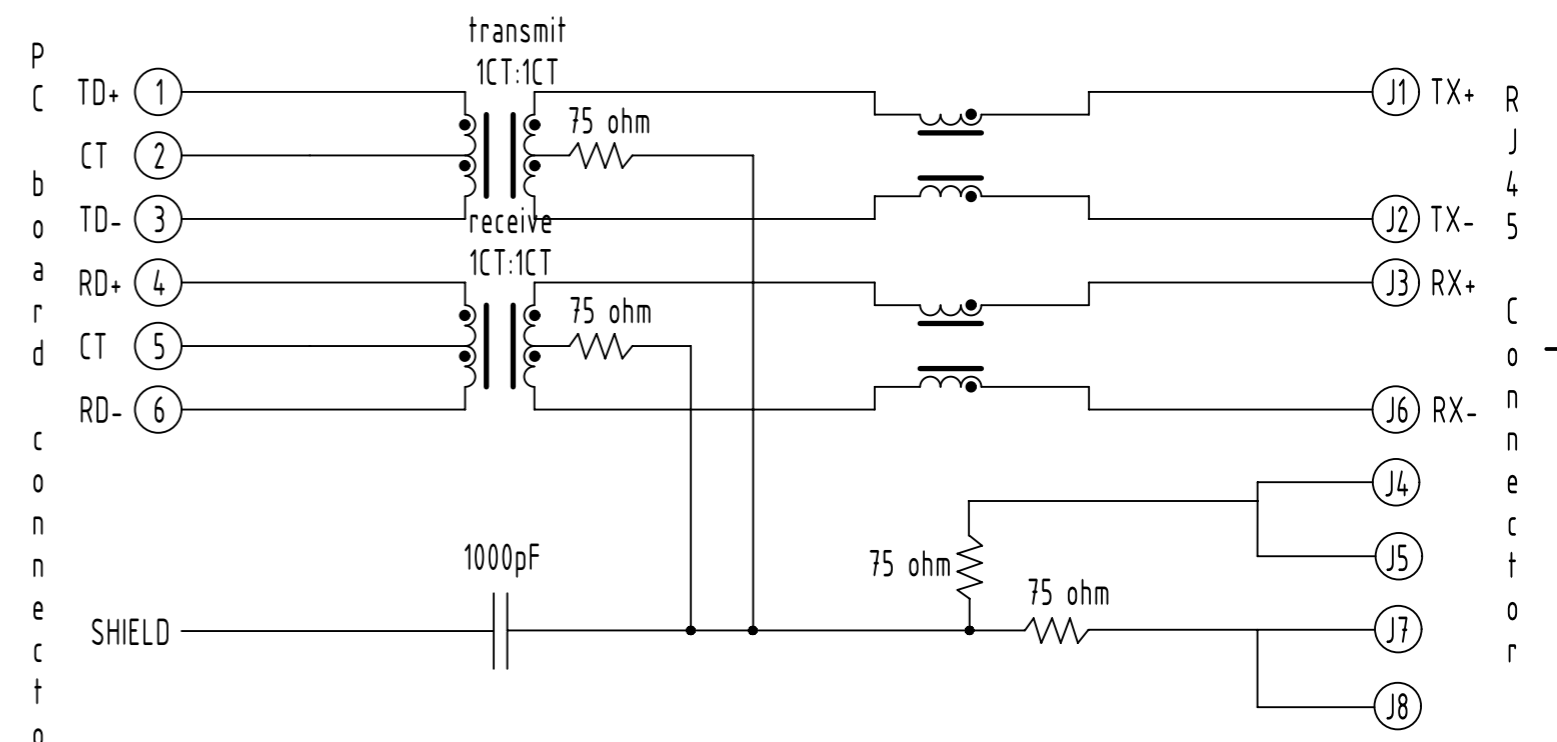
Material:
 Housing and insert material: High Temperature black UL94-V0
 Shield material: Brass C2680 H. Plating nickel
 Contact material: Phosphore Bronze thickness 0,35mm
 Plating contact : gold over nickel

Technical data:
 In accordance with IEEE 802.3u & TIA 1096A
 For 100 base transmission over UTP-5 cable
 Storage: -40°C to 85°C
 Operation: -25°C to 70°C
 Operating lifetime: 750 cycles min.

Packaging:
 56 parts per tray and 13 trays per carton box



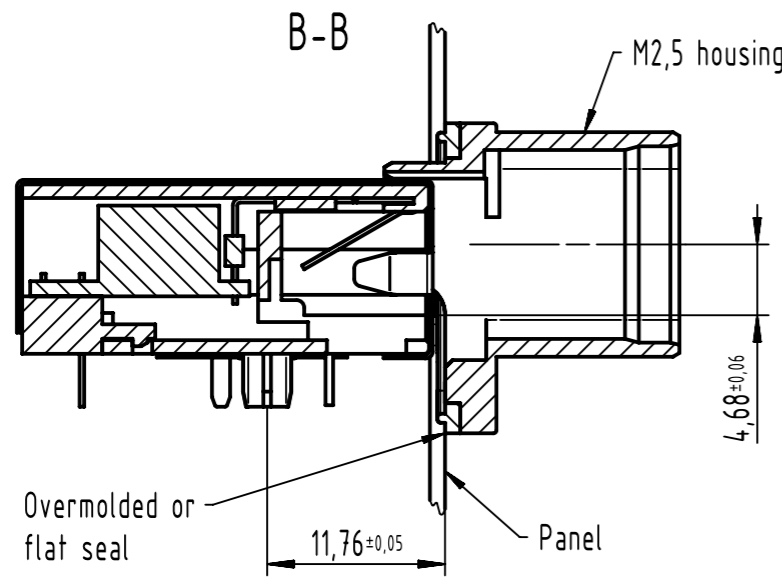
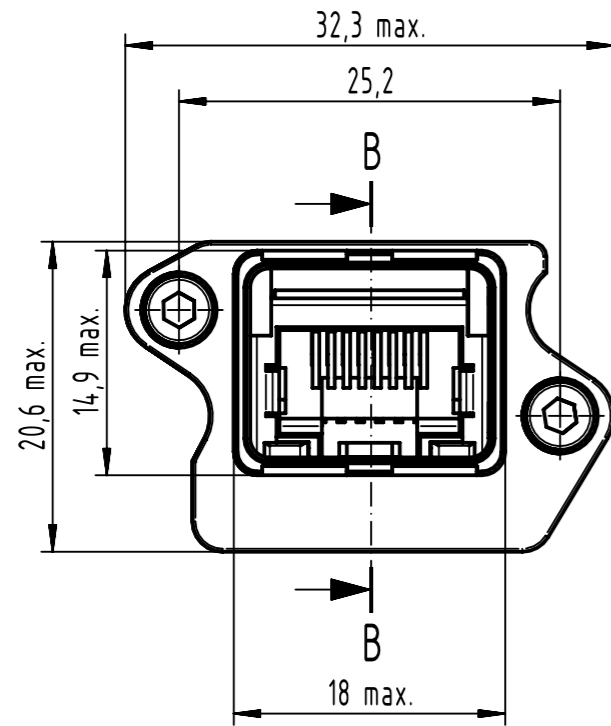
Schematic



High/Low Pass Filter
 Schematic on PC Board

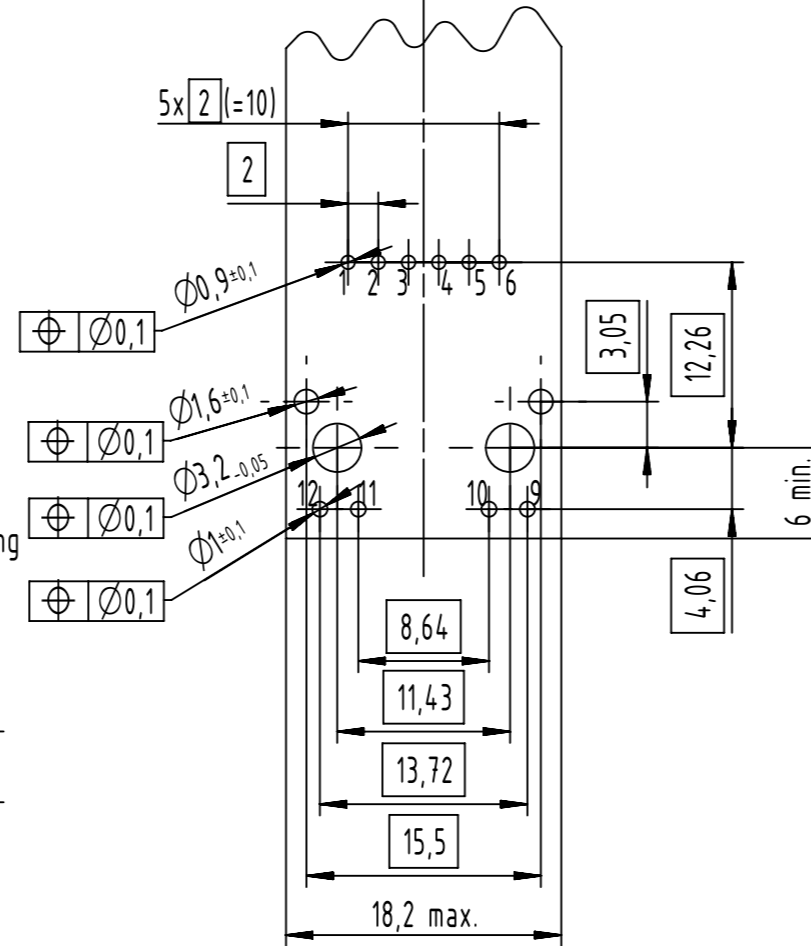
	All Dimensions in mm Original Size DIN A3		Scale 2:1	Free size tol.	Ref.
	All rights reserved		Created by SERBANA	Inspected by PREOTU	Standardisation ROEBEN
Department EL PD		Title RJ45 jack 10/100 Mbit LED gn/ye		Date 2022-08-18	State Final Release
HARTING D-32339 Espelkamp		Type TB	Number 09455511132		Doc-Key / ECM-Nr. 100555079/UGD/000/C 500000223531
					Rev. C
					Page 1/4

Mounting instructions for HARTING
Push-Pull compact receptacle housing
PN: 09455450023
PN: 09455450033

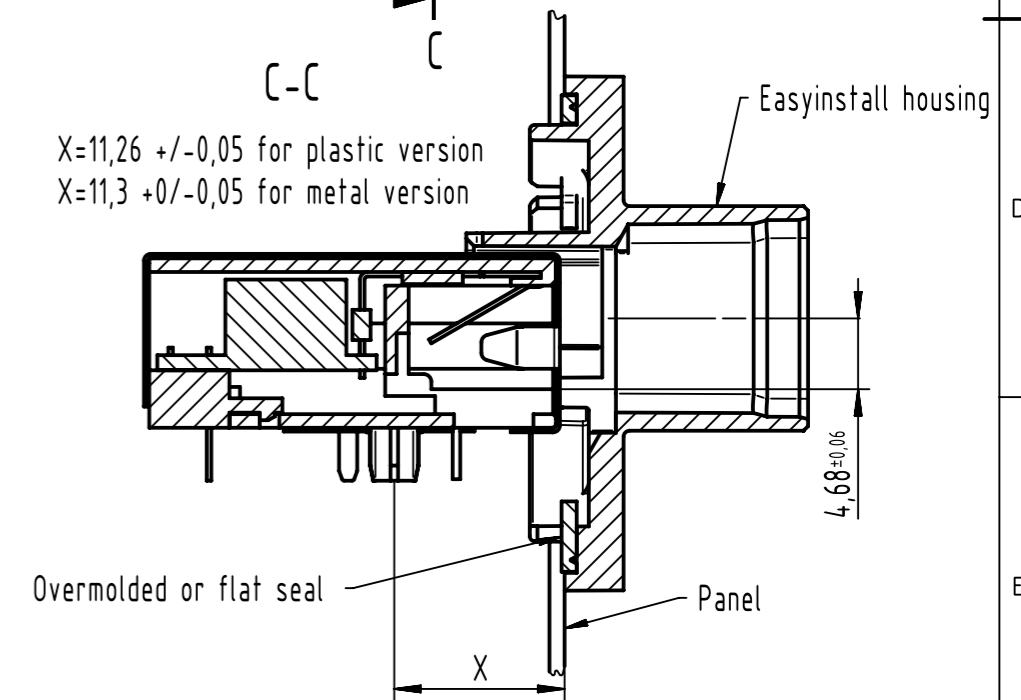
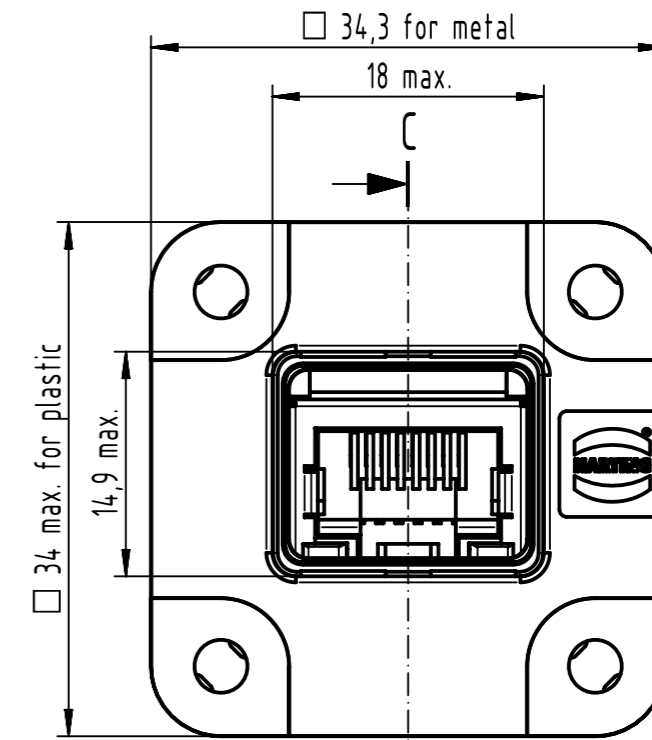


Receptacle mating side according to IEC 61076-3-106 variant 4

PCB Board Layout
Component Side Shown



Mounting instructions for HARTING
Push-Pull Easy-Install receptacle housing
PN: 09455450030
PN: 09455950030

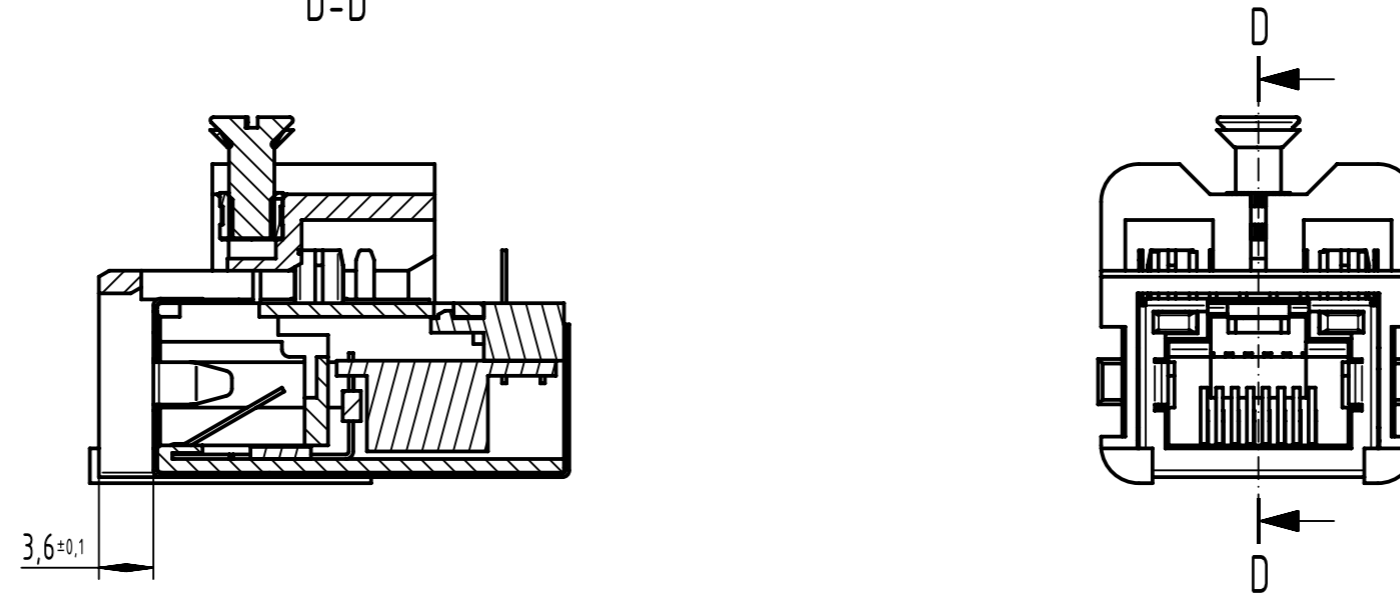


Receptacle mating side according to IEC 61076-3-106 variant 4

	All rights reserved	Created by SERBANA	Inspected by PREOTU	Standardisation ROEBEN	Date 2022-08-18	State Final Release
	Department EL PD	Title RJ45 jack 10/100 Mbit LED gn/ye			Doc-Key / ECM-Nr. 100555079/UGD/000/C 50000223531	
HARTING D-32339 Espelkamp	Type TB	Number 09455511132			Rev. C	Page 2/4

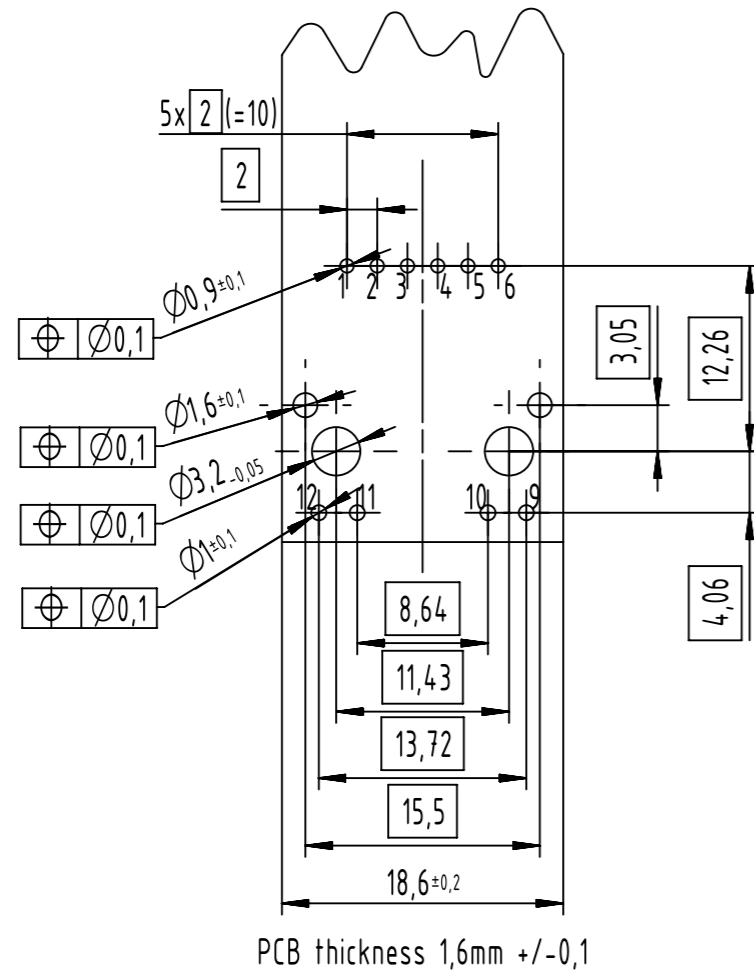
Mounting instruction for HARTING Han 3A RJ45 housing
 with Han 3A adapter without fixing clips
 PN: 09455150022

D-D



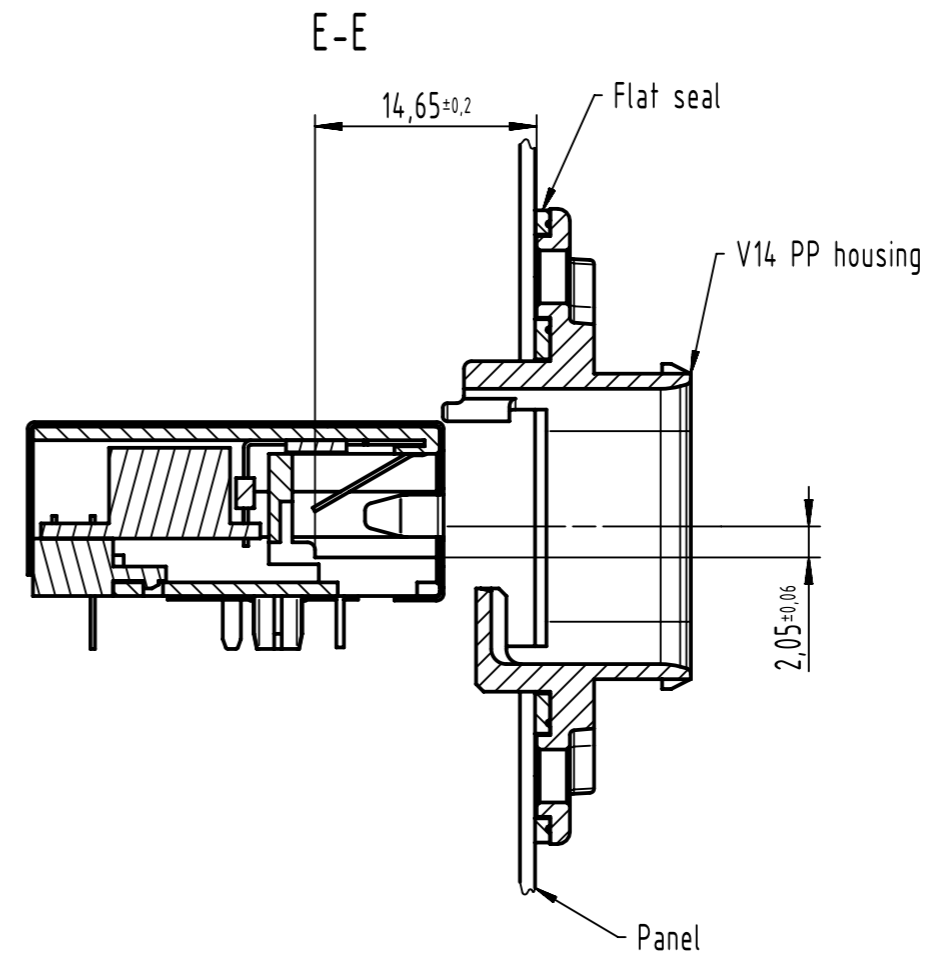
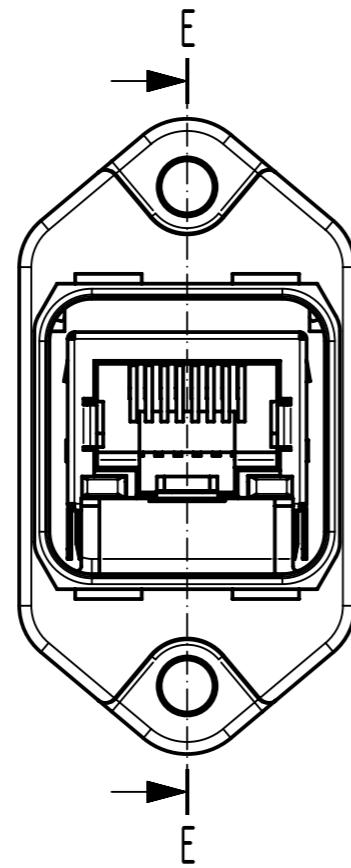
Receptacle mating side according to IEC 61076-3-106 variant 5

PCB Board Layout
 Component Side Shown

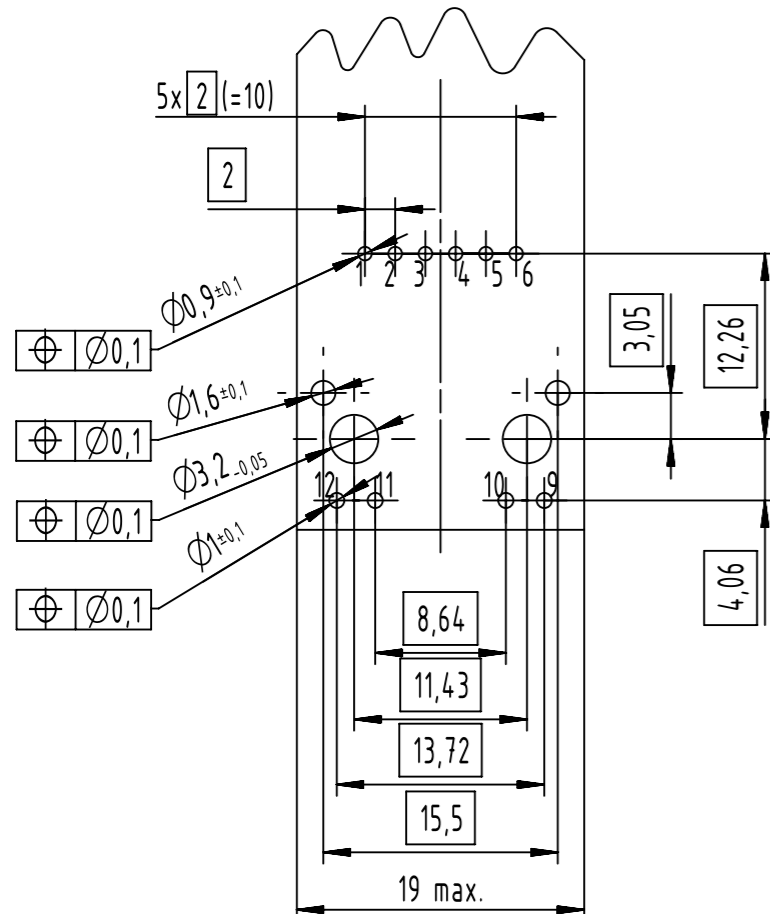


	All rights reserved Department EL PD	All Dimensions in mm Original Size DIN A3		Scale 2:1	Free size tol.	Ref. Sub.
		Created by SERBANA	Inspected by PREOTU	Standardisation ROEBEN	Date 2022-08-18	State Final Release
HARTING D-32339 Espelkamp		Title RJ45 jack 10/100 Mbit LED gn/ye			Doc-Key / ECM-Nr. 10055079/UGD/000/C 50000223531	
		Type TB	Number 09455511132		Rev. C	Page 3/4

Mounting instruction for HARTING Han Push-Pull RJ45 housing
 PN: 09350020301



PCB Board Layout
 Component Side Shown



Receptacle mating side according to DIN EN 61076-3-117

	All rights reserved Department EL PD	All Dimensions in mm Original Size DIN A3		Scale 2:1	Free size tol.	Ref. Sub.
		Created by SERBANA	Inspected by PREOTU	Standardisation ROEBEN	Date 2022-08-18	State Final Release
HARTING D-32339 Espelkamp		Title RJ45 jack 10/100 Mbit LED gn/ye			Doc-Key / ECM-Nr. 100555079/UGD/000/C 500000223531	
		Type TB	Number 09455511132		Rev. C	Page 4/4